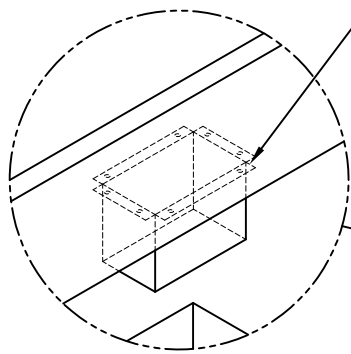


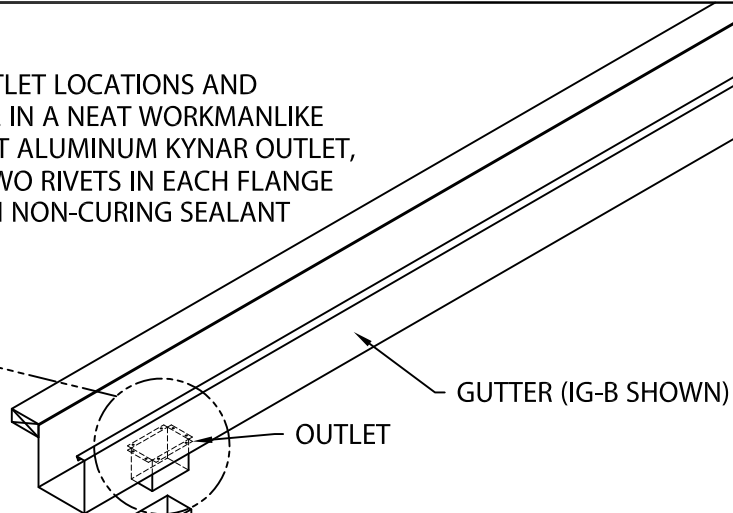
# TREMLOCK DOWNSPOUT

OPEN DOWNSPOUT, STYLE 1 DOWNSPOUT STRAP VERSION

## INSTALLATION INSTRUCTIONS



DETERMINE OUTLET LOCATIONS AND FIELD CUT HOLE IN A NEAT WORKMANLIKE MANNER. INSERT ALUMINUM KYNAR OUTLET, FASTEN WITH TWO RIVETS IN EACH FLANGE AND SEAL, WITH NON-CURING SEALANT



GUTTER (IG-B SHOWN)

OUTLET

LARGE END

STANDARD ELBOW (STYLE A SHOWN)

SMALL END

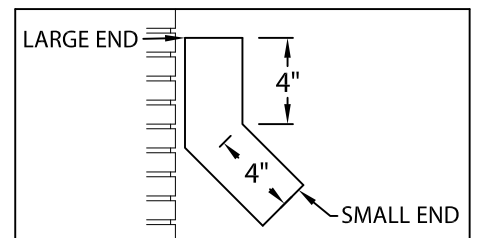
LARGE END

DOWNSPOUT (12'-0" LENGTHS)

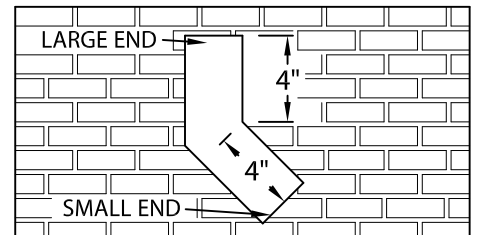
2" WIDE DOWNSPOUT SPACER. TYPICAL 3 PER 12'-0" LENGTH OF DOWNSPOUT.

STYLE 1 DOWNSPOUT STRAP  
2" WIDE  
TYPICAL 3 PER 12'-0" LENGTH  
OF DOWNSPOUT. MOUNTED  
IN REAR OF DOWNSPOUT

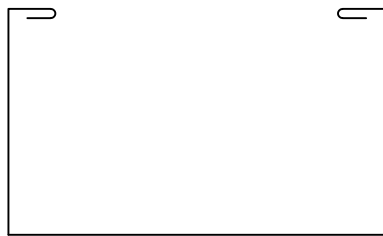
SMALL END  
(2" NOTCH PROVIDED)



STYLE A DOWNSPOUT



STYLE B DOWNSPOUT



DOWNSPOUT SECTION